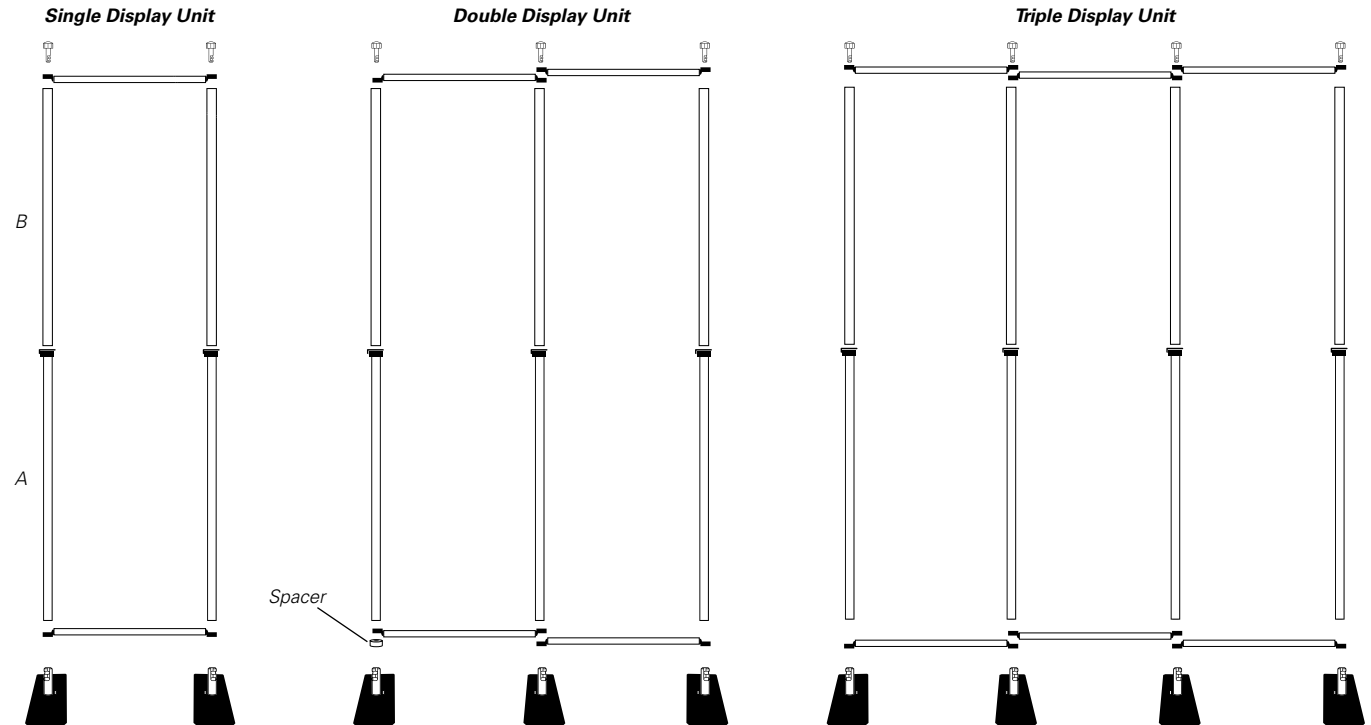




assembly instructions

1. Place feet in approximate locations, with logo facing forward.
2. Insert horizontal bar through bottom banner hem.
3. Place bottom bar over helix studs on feet. Note that ring must make solid contact with foot (for even numbers of stands, a spacer is needed at one end to accomplish this; see diagram).
4. Attach both upright tubes (A and B together) to helix studs; twist and tighten. Note that this tube holds in any position by raising and releasing it to engage the downstop. Disengage downstop by pressing upward on the downstop tab.
5. Insert top horizontal bar through banner hem and place on top of upright tubes. Insert top helix bolts and tighten.
6. Check to see that top bolts are tight. If stand is twisted or racked, straighten the stand and tighten ALL connections.



helpful hints

- Assemble all side tubes before attaching top bar.
- Do not telescope tube(s) until all parts are in place.
- Make sure all helix bolts and all connections are tight when finished.
- If stand is twisted, reposition and retighten.

double and triple units

Assemble double & triple panel units like a single except:

- For double and even numbered units, use spacers between foot and bottom horizontal bar (see diagram).
- Make sure rings on horizontal bars are positioned according to diagram (rings are closer to ceiling on some bars, closer to floor on others). This will put the bars at equal height.
- Optional round feet may be purchased for middle section(s) of connecting units.
- If one person is assembling, "inch" each side up consecutively.

using gotcha and grabber bar

Two DisplayONE® accessories are the intermediate grabber bar (usually used for smaller graphics or banners) and the GOTCHA graphic bar (usually used for non-hemmed graphics or rigid panels). GOTCHA® is a product of Rose Displays. Consort Display Group manufactures the gotcha ring to attach the GOTCHA to 1" horizontal bars.

1. Connecting GOTCHA® to GOTCHA RING

Insert Gotcha ring into upper ridge on Gotcha bar. It should fit tightly by snapping into place (see Figure A). Repeat for as many clips as necessary.

2. Connecting Assembly to Tube

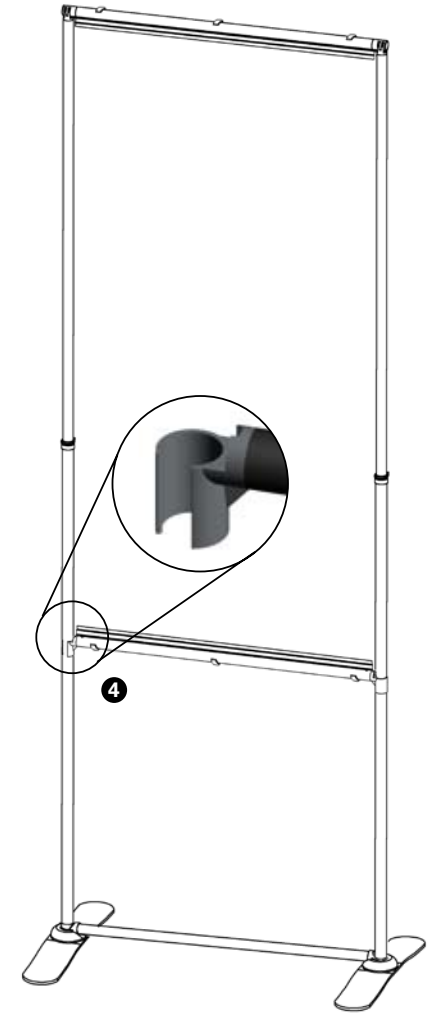
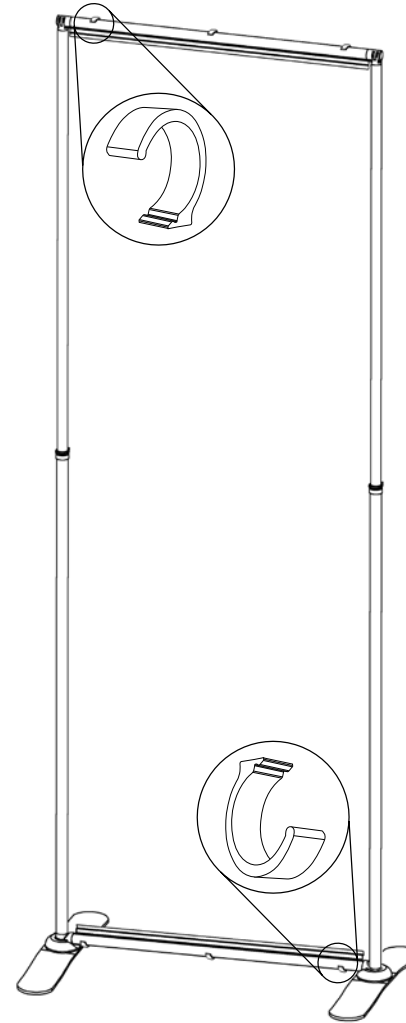
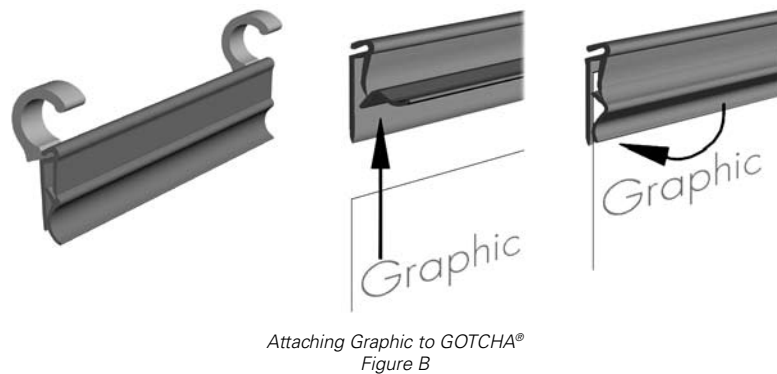
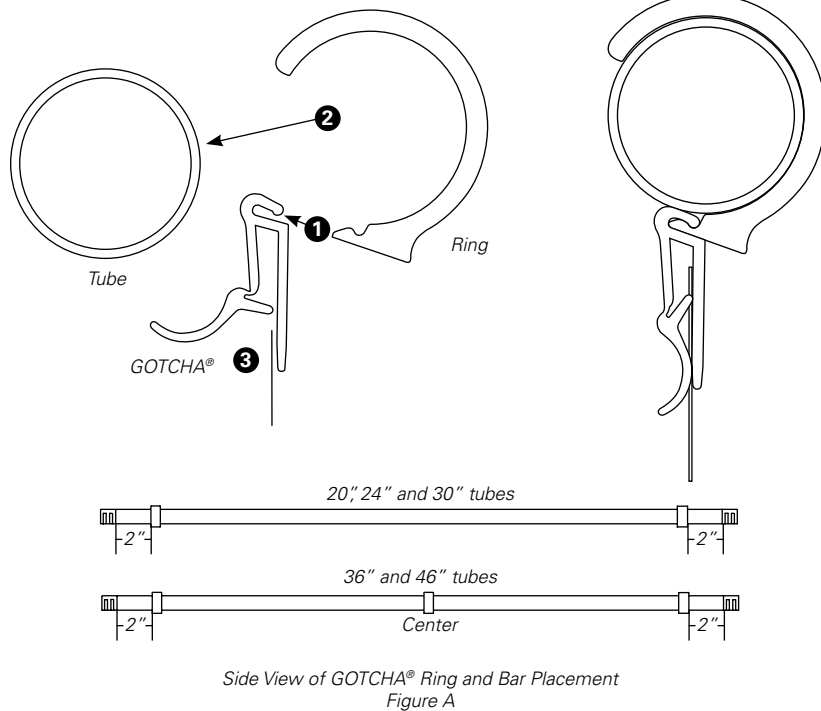
Align ends and snap the Gotcha w/rings onto the horizontal tubes.

3. Locking Graphic in Place

Lift the lower flap across the Gotcha until it flips open. Slip graphic into groove as far as possible, then lock flap back into place (see Figure B).

4. Using the Grabber Bar

Snap each end of the grabber bar onto the uprights (see Figure C). Apply Gotcha and Gotcha rings in the same manner as described in steps 1 and 2.



MX is pictured above; Gotcha and Grabber Bar will fasten the same on both DO and MX units.