

ASSEMBLY INSTRUCTIONS: USING GOTCHA & GRABBER BAR

TWO ACCESSORIES FOR XPRESS ARE THE INTERMEDIATE GREABBER BAR- USUALLY USED FOR SMALLER GRAPHICS OR BANNERS, AND THE GOTCHA GRAPHIC BAR- USUALLY USED FOR NON-HEMMED GRAPHICS OR RIGID PANELS. GOTCHA IS A PRODUCT OF ROSE DISPLAYS. CONSORT DISPLAY GROUP MANUFACTURES THE GOTCHA RING TO ATTACH THE GOTCHA TO 1" HORIZONTAL BARS.

FOR THE FOLLOWING STEPS REFER TO 'FIGURE B'

1. CONNECTING GOTCHA® to GOTCHA RING:

Insert Gotcha ring into upper ridge on Gotcha bar. It should fit tightly by snapping into place. Repeat for as many clips necessary.

2. CONNECTING ASSEMBLY to TUBE:

Align ends and snap the Gotcha w/ Rings onto the horizontal tubes.

3. LOCKING GRAPHIC INTO PLACE:

Lift the lower flap across the Gotcha until it flips open. Slip graphic into groove as far as possible then lock flap back into place. (see figure A).

FOR THIS STEP REFER TO 'FIGURE C'

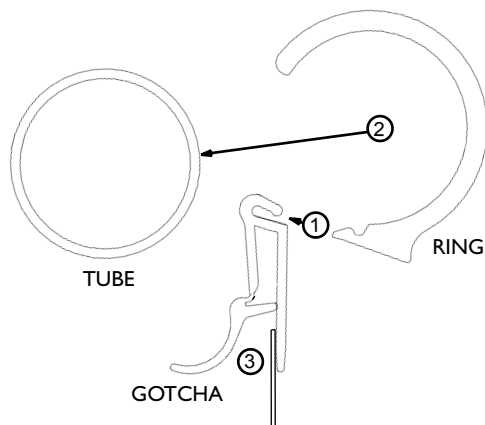
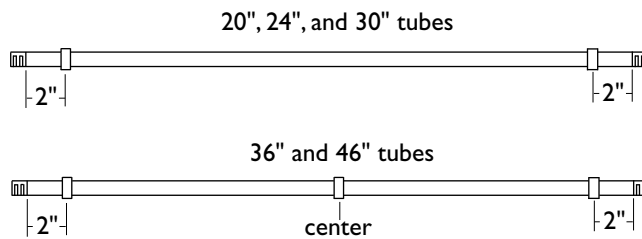
4. USING THE GRABBER BAR:

Snap each end of the Grabber Bar onto the uprights as shown below. Apply Gotcha and Gotcha Rings in the same manner as described in steps 1 and 2.

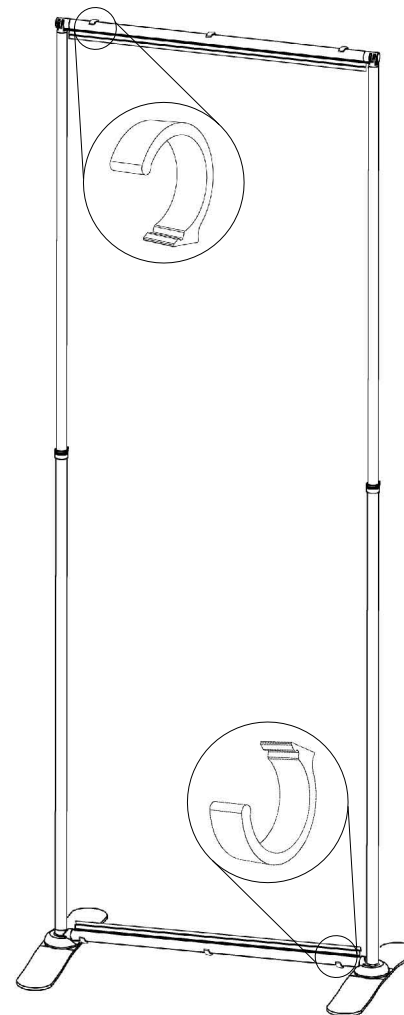


FIGURE A

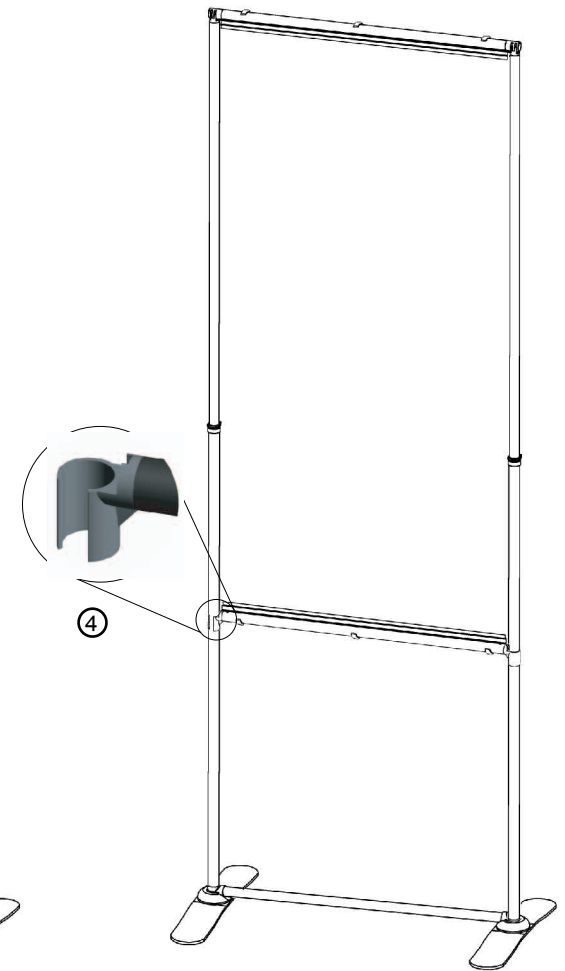
RECOMMENDED LOCATION OF GOTCHA RINGS:



SIDEVIEW OF GOTCHA RING AND BAR PLACEMENT
FIGURE B



GOTCHA RING ORIENTATION



GRABBER BAR INSTALLED
FIGURE C