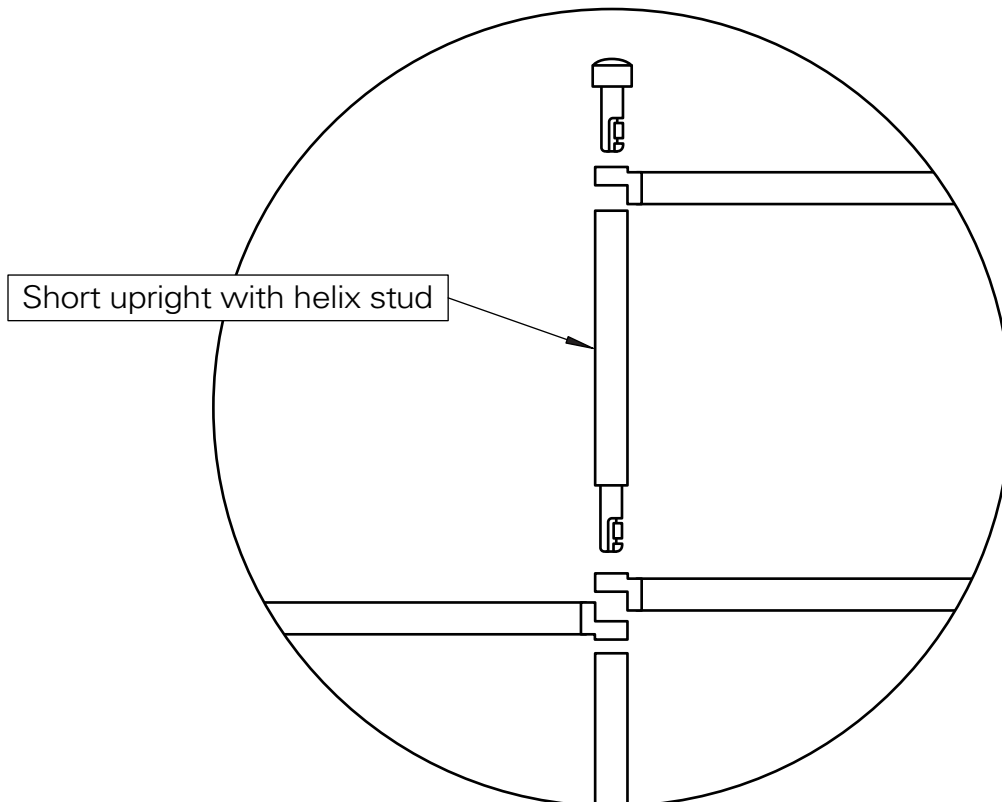


DISPLAY ONE HEADER ASSEMBLY INSTRUCTIONS

Header Unit includes:

- One telescoping horizontal bar
- Two short uprights with helix stud

1. Insert horizontal bar through top banner hem and place on top upright tubes. Insert short upright with helix stud and tighten.
2. Place telescoping horizontal bar on top of short uprights and tighten.
3. Check to see that top bolts and short uprights are tight. Raise stand to final height.
4. If stand is twisted or "racked", straighten the stand and tighten ALL connections. For your convenience, the stand can be lowered to eye-level, adjusted, then raised.



Note: drawing not to scale