

# DISPLAYONE<sup>®</sup>

by CONSORT  
DISPLAY GROUP

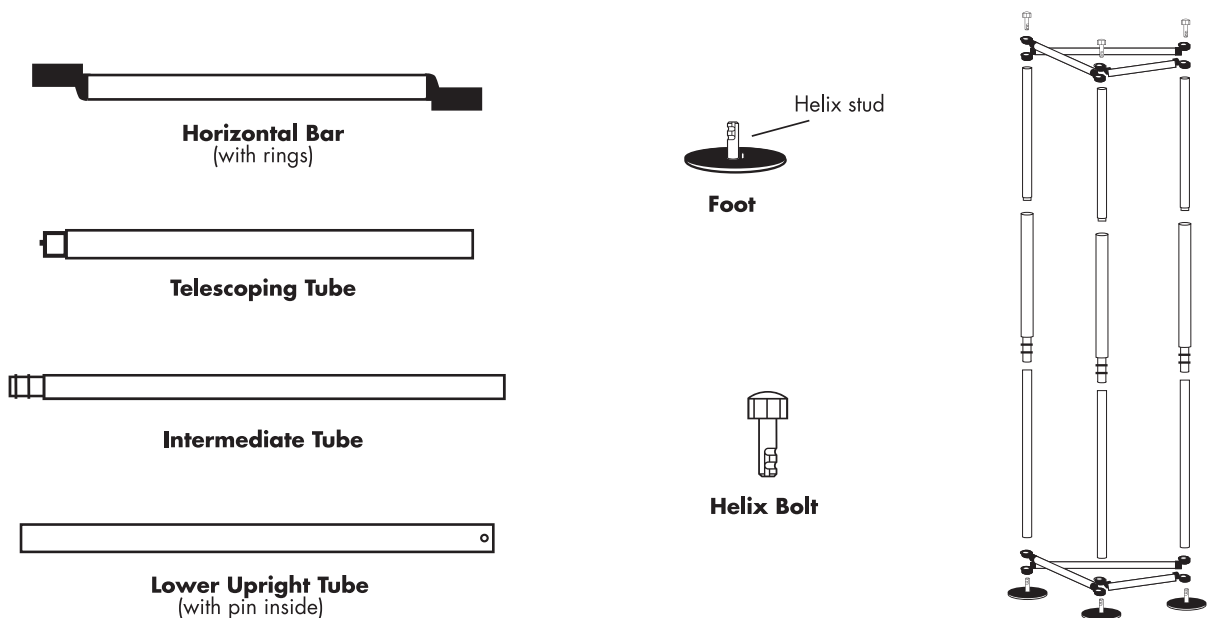
Consort Corporation  
2129 Portage Street  
Kalamazoo, MI 49001

phone 800.223.7315  
fax 616.344.4696  
web www.consort.com

## Helpful Hints Before Starting

- Remove components from organizing pouch and place on pouch.
- Place paper or cloth on floor to keep fabric/graphics clean during assembly.
- Store rubber caps for feet in small pocket in organizing pouch.
- Complete assembly of all Uprights before attaching top Horizontal Bars.
- Do not telescope tubes until unit, with fabrics/graphics attached, is fully assembled.
- **Check that all Helix Bolts and connections (Intermediate and Lower UprightTubes, Lower UprightTubes and feet) are tight.**
- Reverse steps to disassemble unit.

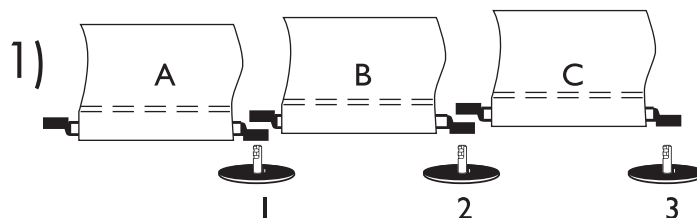
## COMPONENTS:





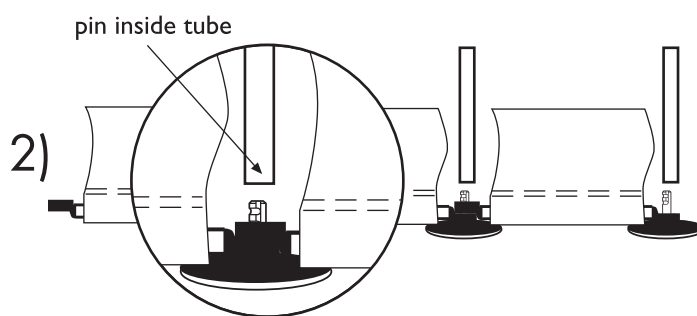
## Step 1- Build Triangle Base.

A) Place feet in a triangle. B) Insert Horizontal Bar through bottom hem. C) Place bars on feet. Be certain ring on foot at connections A1, B2, C3 lock onto pin on foot.



## Step 2- Connect Lower Uprights.

Place Lower Upright onto helix stud on foot. Be certain pin inside tube fits into slot on stud and that tube rests completely on ring. Twist to tighten.

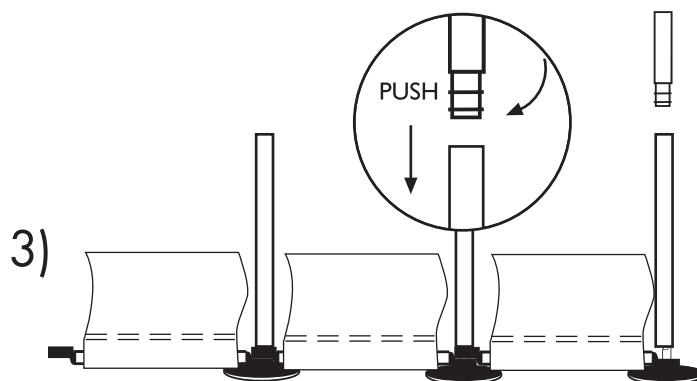


## Step 3- Place Telescoping Tube inside Intermediate Upright.

Insert end without pin.

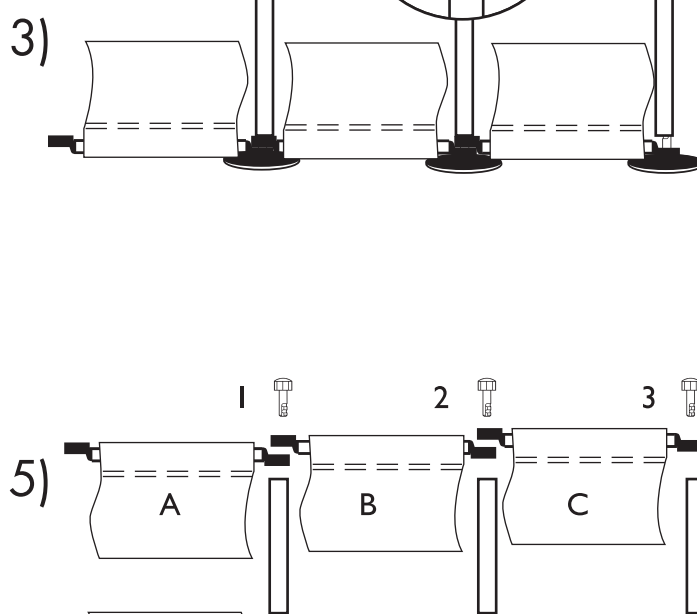
## Step 4- Connect Intermediate Uprights

Insert the Intermediate Upright (with Telescoping Tube inside) into Lower Upright. Firmly push and twist "O" ring connector into Lower Upright until the connection is complete.



## Step 5- Connect Top bars to Telescoping Tubes.

Insert bars through top hem and place bars in same sequence as bottom bars (A-C). Make connection A 1 first, B2 second, C3 third. Place Helix Bolt through rings and into Telescoping Tube. Turn bolt to lock.



## Step 6- Raise Telescoping Tubes

Each tube holds in any position by raising and releasing it to engage the downstop. Disengage Downstop by pressing upward on the Downstop tab.

NOTE 1: After completing assembly. check top Helix Bolts are tight. Lean tower forward and tighten bolts, if necessary. Make sure bottom uprights are tight on feet.

NOTE 2: Cut the back of the top and bottom banner hems into a "tear drop shape" to prevent "pinching" the banner between the ring fittings.

